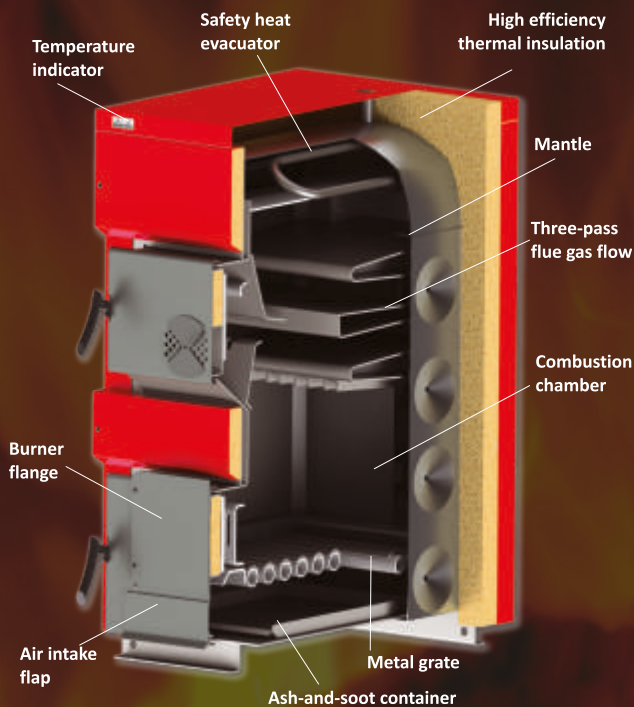


Wood-fired boiler BURNiT WBS

Steel wood-fired boilers BURNiT WBS range in nominal output from 20 to 110 kW to satisfy the heating demands of medium to large sized spaces. They are engineered for burning solid fuel and provide the option for fitting pellet, oil or gas-fired burners. Approved for compliance with safety norm EN 303-5, class 3.



Product Features

Simple installation and handling

Combustion chamber with large heat exchanging surface and low chamber resistance

Large firebox door ensures easy loading even with bigger wood chunks

Ribbed chamber surface and three-pass flue gas flow for improved heat exchange

Burner flange on lower door for fitting pellet, gas or oil burners

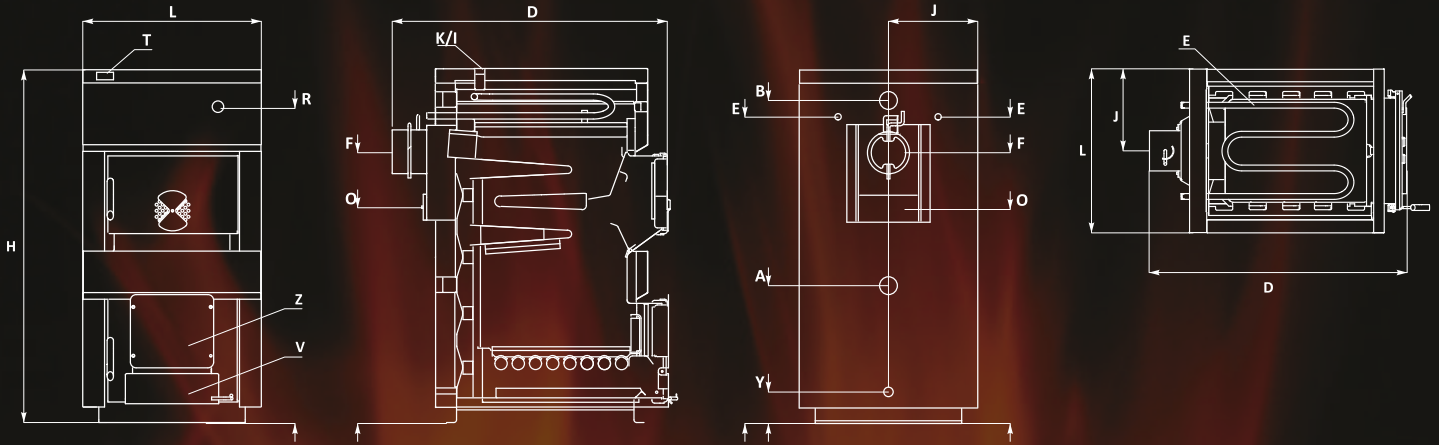
Easy cleaning and maintenance

Pressure relief valve 2,5 bar included in the delivery set

Exchangeable metallic ash grate protects the pipe grid from the flame

Three safety devices :

- 1) Thermostatic draught regulator;
- 2) Pressure relief valve;
- 3) Safety heat evacuator a tap-water-filled line passes through the upmost part of the boiler body. In case of overheating it is triggered open by a thermostatic valve (not included) to evacuate the heat off the boiler.



Technical specification:

Model		WBS 20	WBS 25	WBS 30	WBS 40	WBS 50	WBS 70	WBS 90	WBS 110
Heat output	kW	20	25	30	40	50	70	90	110
Heating surface	m ²	90÷120	100÷150	120÷180	140÷250	160÷340	250÷410	350÷480	400÷650
Height H	mm	1230	1230	1230	1230	1230	1370	1370	1370
Width L/ Depth D	mm	570/970	570/1050	630/1050	730/1050	730/1100	730/1225	790/1225	850/1225
Mantle volume	L	92	100	105	118	128	141	156	171
Combustion chamber volume	L	58	62	73	84	97	120	133	160
Combustion chamber resistance	Pa/mbar	10/0.10	11/0.11	12/0.12	15/0.15	26/0.26	41/0.41	54/0.54	54/0.54
Required chimney draught	Pa/mbar	16/0.16	20/0.20	21/0.21	23/0.23	24/0.24	38/0.38	47/0.47	47/0.47
Loading door size	mm	330/250	330/250	390/250	490/310	490/310	490/310	550/310	610/310
Max. length of firewood logs	mm	400	400	400	400	500	600	600	600
Operating temp. range/Max. temp.	°C	65÷85/95	65÷85/95	65÷85/95	65÷85/95	65÷85/95	65÷85/95	65÷85/95	65÷85/95
Operating pressure	bar	2.5	2.5	2.5	2.5	2.5	2.5	2.5	2.5
Overall weight	kg	230	250	270	310	330	355	380	420
Cold water inlet	A, mm	G1½"/510	G1½"/510	G1½"/510	G1½"/510	G1½"/510	G2"/510	G2"/430	G2"/430
	J, mm	280	280	310	360	360	360	390	420
Hot water outlet	B, mm	G1½"/1100	G1½"/1100	G1½"/1100	G1½"/1100	G1½"/1100	G1½"/1200	G1½"/1200	G1½"/1200
	J, mm	280	280	310	360	360	360	390	420
Safety line (sensor or valve) sleeve	K, mm	G½"/1230	G½"/1230	G½"/1230	G½"/1230	G½"/1230	G½"/1330	G½"/1330	G½"/1330
Safety heat evacuator inlet/outlet	E, mm	R½"/1055	R½"/1055	R½"/1055	R½"/1055	R½"/1070	R½"/1170	R½"/1170	R½"/1200
Flue	F, mm	ø150/940	ø150/940	ø150/940	ø180/940	ø180/940	ø206/940	ø206/950	ø206/950
Flue cleaning opening	O, mm	150/70	150/70	150/70	150/70	150/70	150/70	150/70	150/70
Drain	Y, mm	G½"/133	G½"/133	G½"/133	G½"/133	G½"/133	G½"/110	G½"/110	G½"/110
Burner flange optional	Z, mm	ø176	ø176	ø176	ø176	ø176	ø176	ø215	ø215

NES Ltd.

12 Madara Blvd, 9700 Shumen, Bulgaria
 tel: +359 54 874 546, fax: +359 54 874 556
 e-mail: ftrade@sunsystem.bg
www.sunsystem.bg

Distributor: